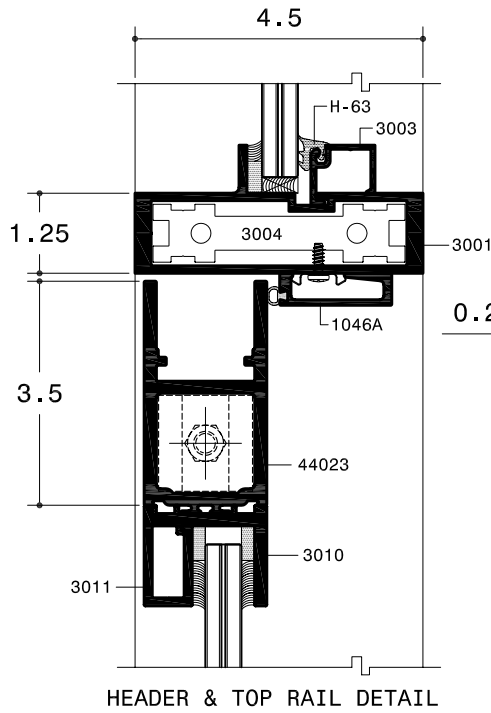
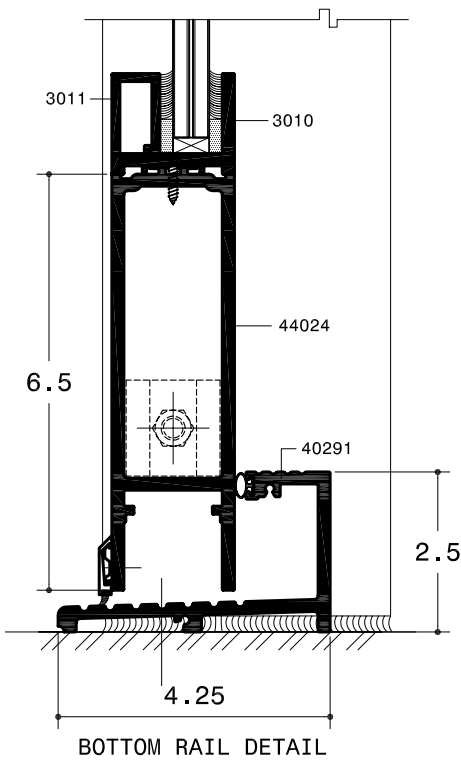


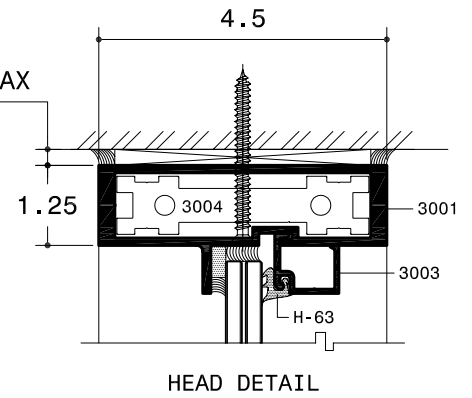
RESISTOR IMPACT MAGNUM DOOR

SECTION DETAILS

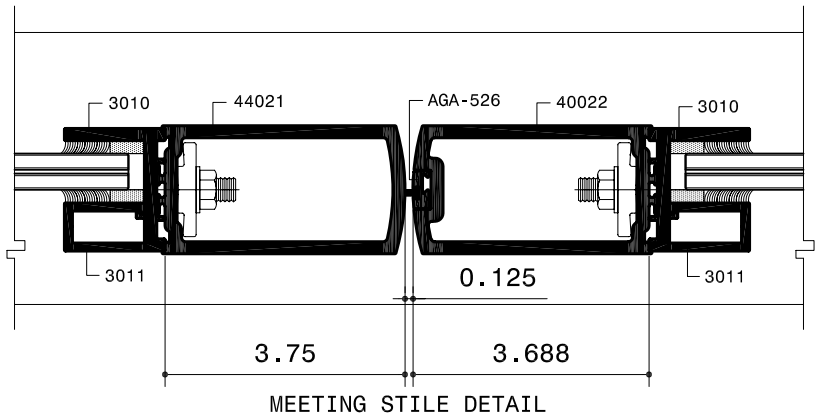
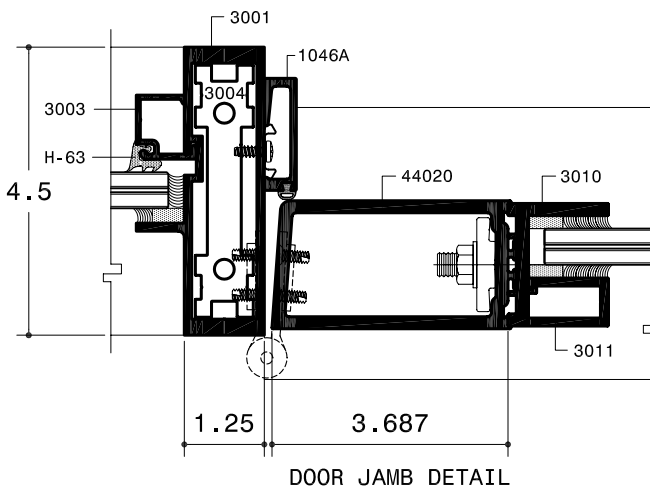
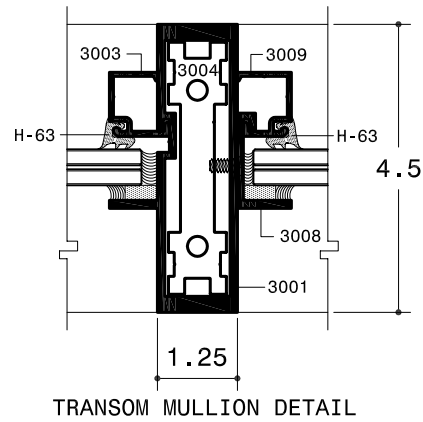
SCALE = 1: 3



HORIZONTAL SECTIONS



VERTICAL SECTIONS



NOA # 06-0705.05