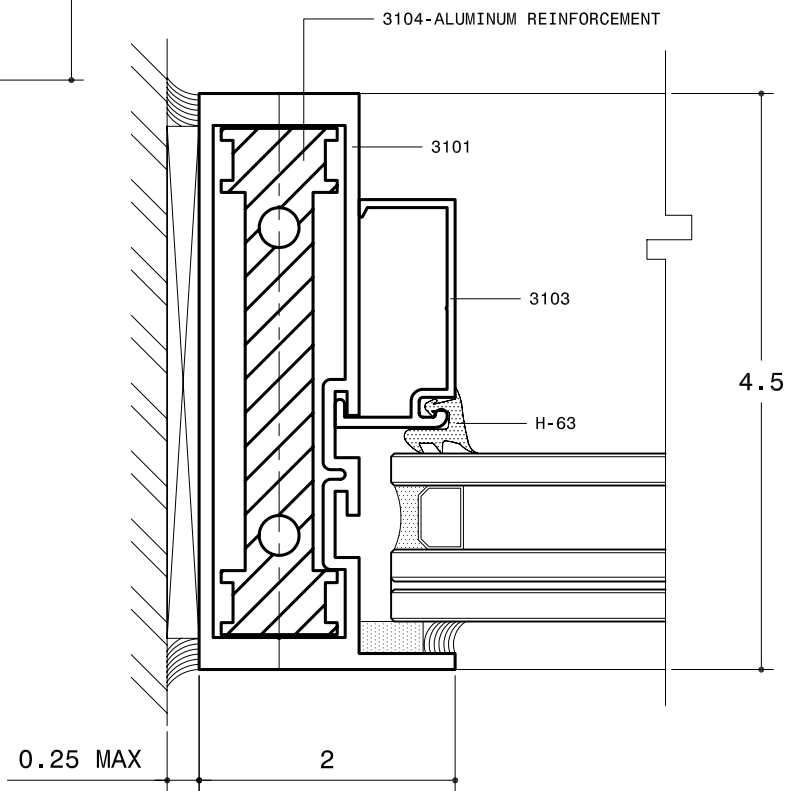
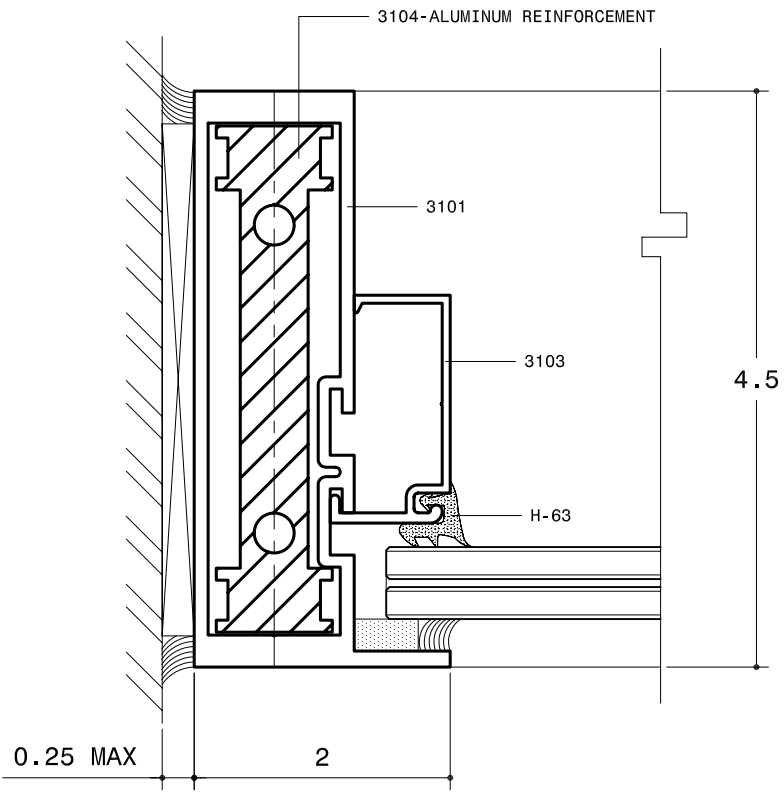


RESISTOR IMPACT WALL - L3100 (1-1/4" x 4-1/2") VERTICAL SECTION DETAILS

9/16" & 1-5/16" GLAZING - REINFORCED

SCALE= 1 : 1 1/2"



JAMB DETAIL