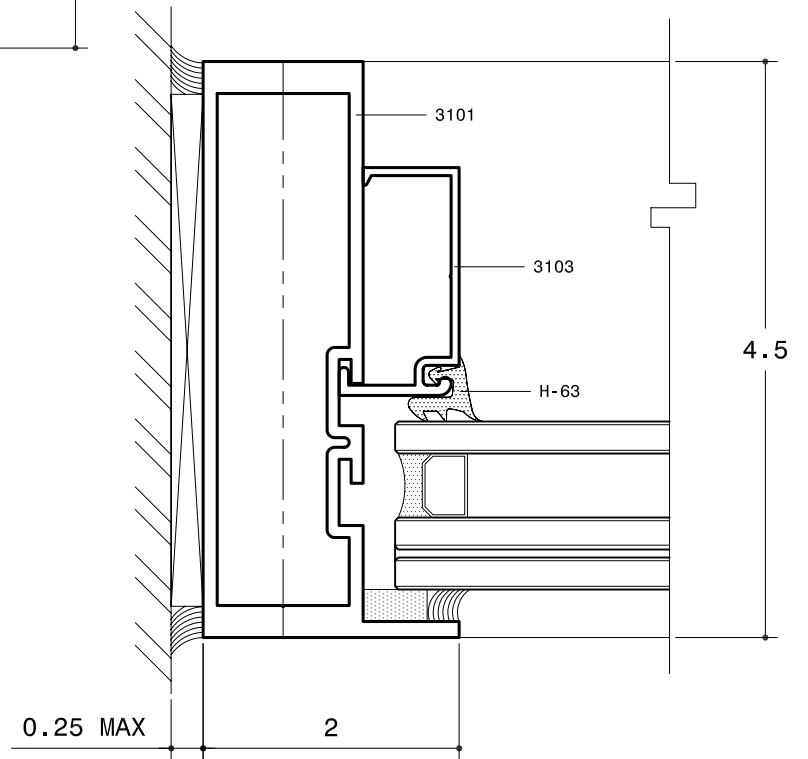
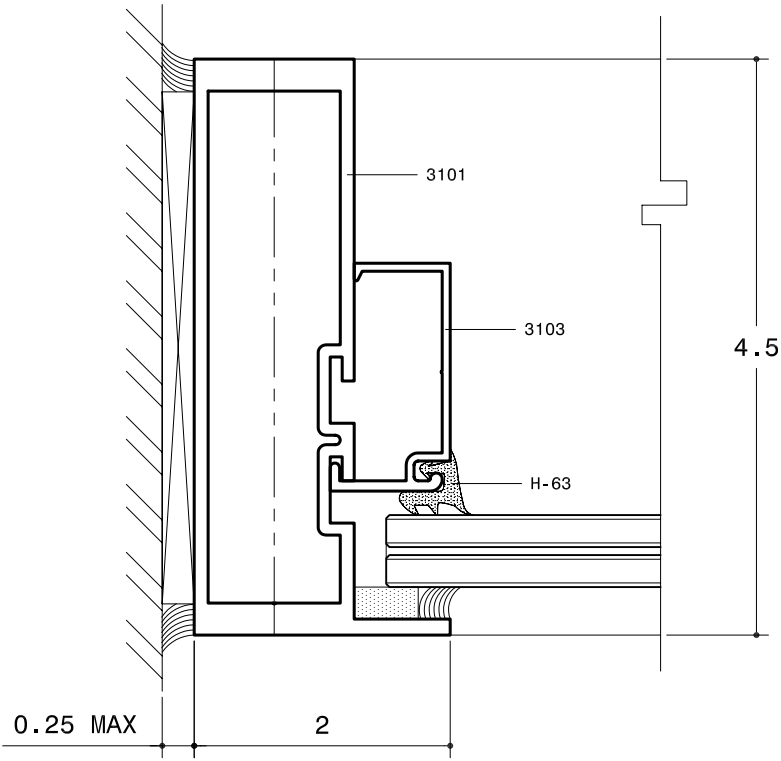


RESISTOR IMPACT WALL - 3100 (1-1/4" x 4-1/2")

VERTICAL SECTION DETAILS

9/16" & 1-5/16" GLAZING - UNREINFORCED

SCALE= 1 : 1 1/2"



JAMB DETAIL